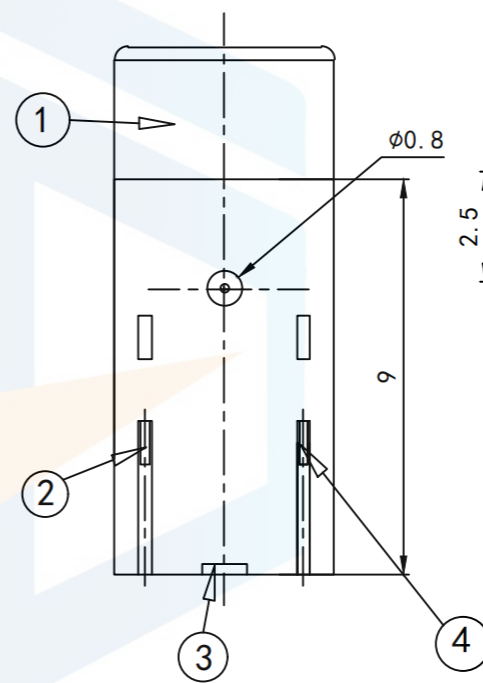
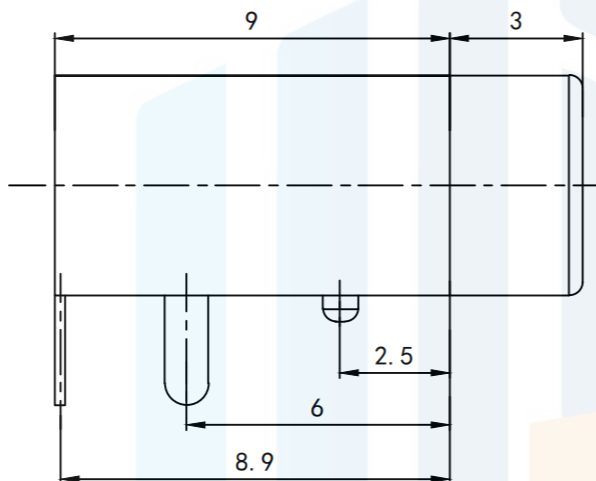
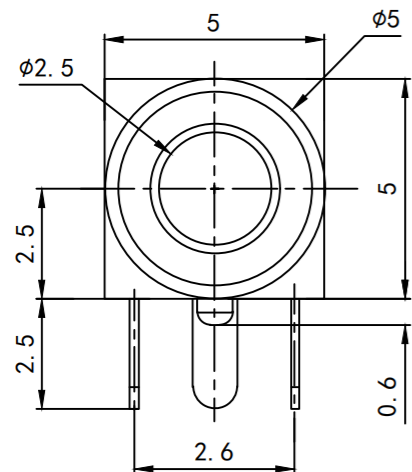
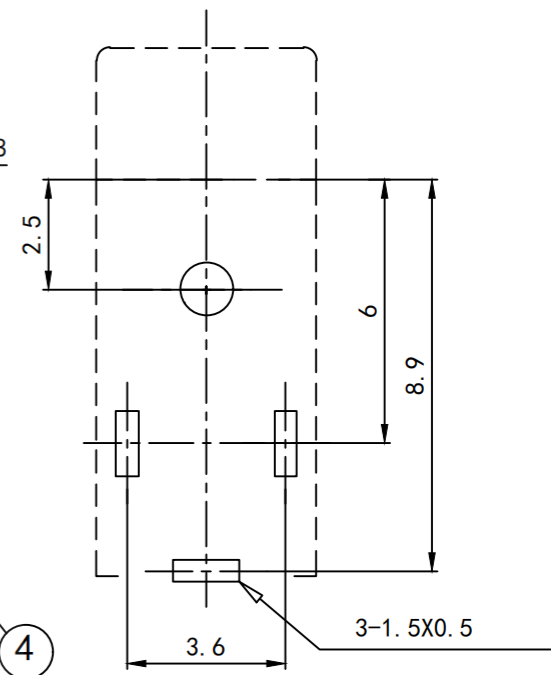


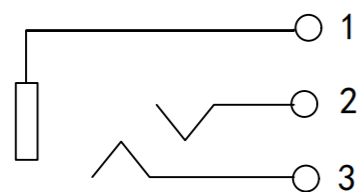
RoHS2.0
Compliant



线路板开孔尺寸



电路原理图



Main Technical Performance
 Rated electrical load DC 30V 10.5A
 Contact resistance $\leq 0.03\Omega$
 Insulation resistance $2100M\Omega$
 Withstand voltage AC500V(50Hz)/min
 Insertion and withdrawal force 3-20N
 Operating temperature range $-30-70^{\circ}C$ Service life 5000 times

TOLERANCE X. XXX ± 0.05 X. XX ± 0.15 X. X ± 0.20 X. ± 0.30 ANGLE $\pm 5.0^{\circ}$		东莞市恒祺电子科技有限公司 Dongguan Hengqi Electronic Technology Co., Ltd	
		https://www.hq-dz.com phone:15812872448	
PROTECTON 	TITLE: 耳机插座		PART NO: PJ-211A
	DRAWN:		DRAWING NO: 12*5*5
	CHECKED:	DATE: 18-10-08	UNIT: mm
APPROVED:	DATE: 18-10-08	SCALE: FULL	
	DATE: 18-10-08	SIZE: A4	