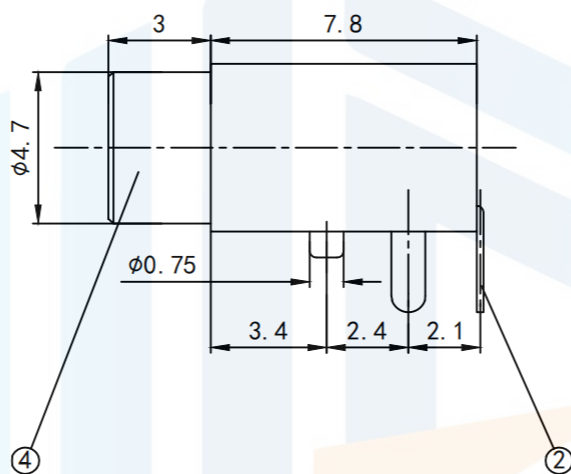
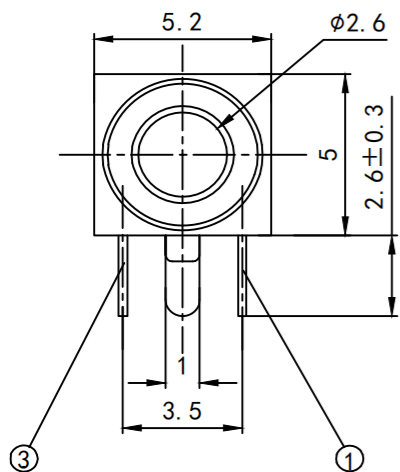
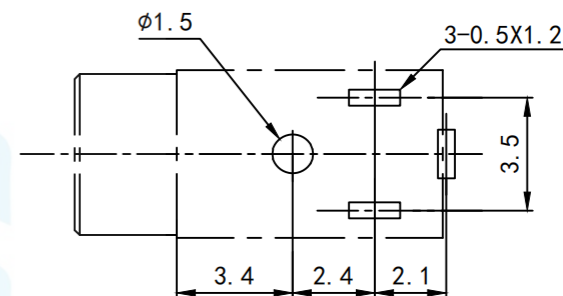


RoHS2.0
Compliant



印制线路板开孔尺寸



接点示意图



4	基座	1	尼龙	黑
3	右脚	1	锡青铜带T=0.25	银
2	中脚	1	锡青铜带T=0.25	银
1	左脚	1	锡青铜带T=0.25	银
序号	名称	数量	材料	备注

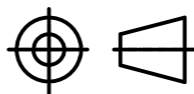
Main technical features :

1. Rated electric load: 30V, 0.2A;
2. Contact resistance: <0.022;
3. Insulation resistance: >100MΩ;
4. Withstand voltage: AC250V (50Hz)min;
5. Insert and dial force: 3-10N;
6. Life: 5,000 times.

TOLERANCE

X. XXX	±0.05
X. XX	±0.15
X. X	±0.20
X.	±0.30
ANGLE	±5.0°

PROTECTON



东莞市恒祺电子科技有限公司

Dongguan Hengqi Electronic Technology Co., Ltd

<https://www.hq-dz.com>

phone:15812872448

TITLE:

耳机插座

PART NO: PJ-211

DRAWING NO: 11*5*5

DRAWN:

DATE:

18-10-08

UNIT:
mm

CHECKED:

DATE:

18-10-08

SCALE:
FULL

APPROVED:

DATE:

18-10-08

SIZE:
A4