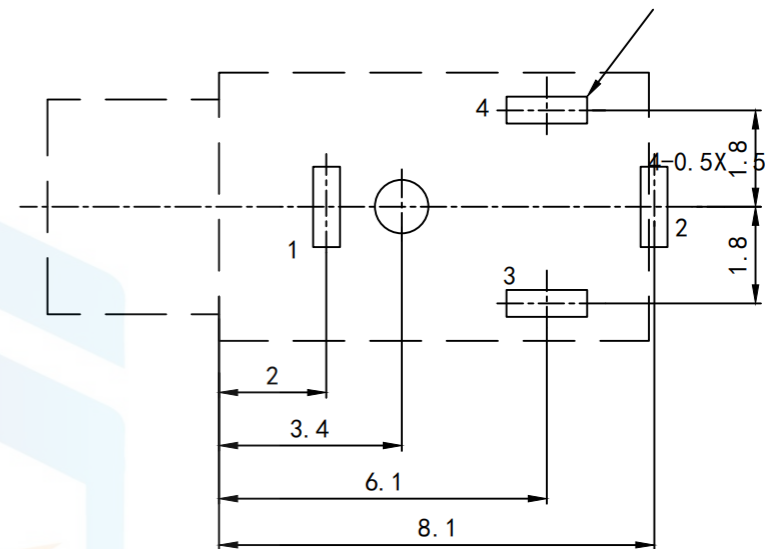
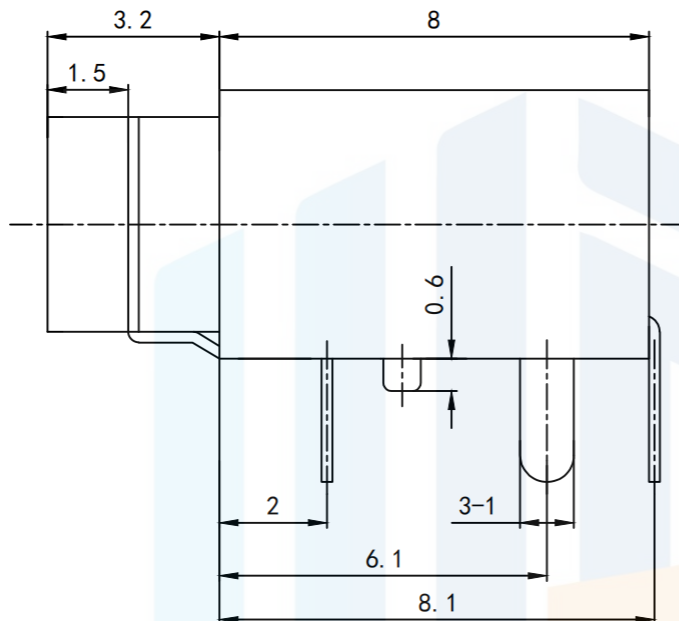
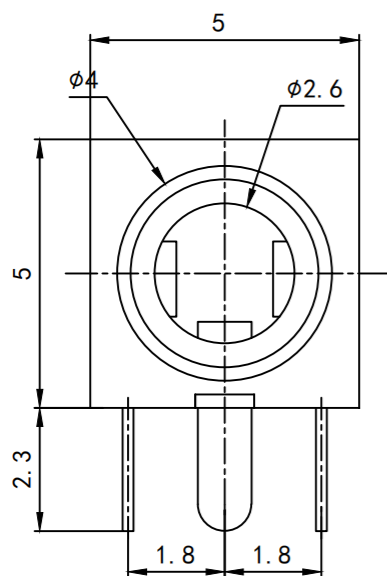
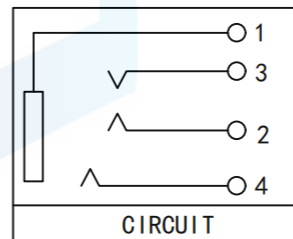
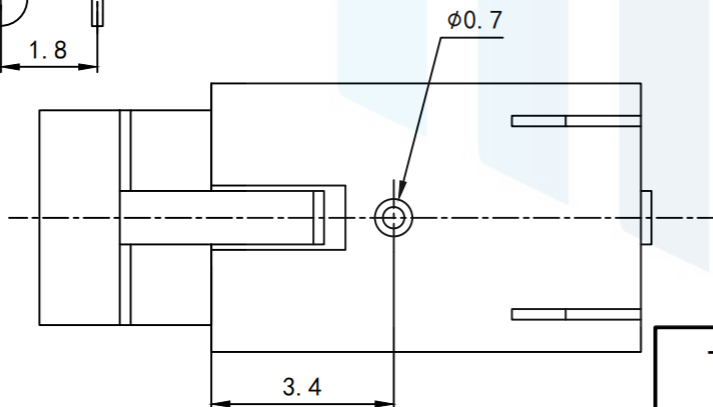


RoHS2.0
Compliant ✓



P. C. B HOLE LAYOUT
BOTTOM VIEW



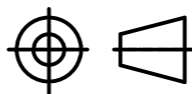
Main technical performance

1. Rated electrical load: 30V 0.5A;
2. Contact resistance: <math><0.03\Omega</math>;
3. Absolute edge resistance: >100M Ω ;
4. Withstand voltage: AC500V (50Hz)/min;
5. Insertion and withdrawal force: 3~20N;
6. Life: 5,000 times.

TOLERANCE

X. XXX	± 0.05
X. XX	± 0.15
X. X	± 0.20
X.	± 0.30
ANGLE	$\pm 5.0^\circ$

PROTECTON



东莞市恒祺电子科技有限公司
Dongguan Hengqi Electronic Technology Co., Ltd

<https://www.hq-dz.com>

phone:15812872448

TITLE:

耳机插座

PART NO: PJ-210B

DRAWING NO: 11*5*5

DRAWN:

DATE:

18-10-08

UNIT:
mm

CHECKED:

DATE:

18-10-08

SCALE:
FULL

APPROVED:

DATE:

18-10-08

SIZE:
A4