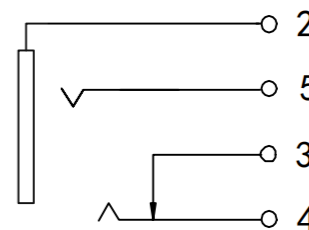
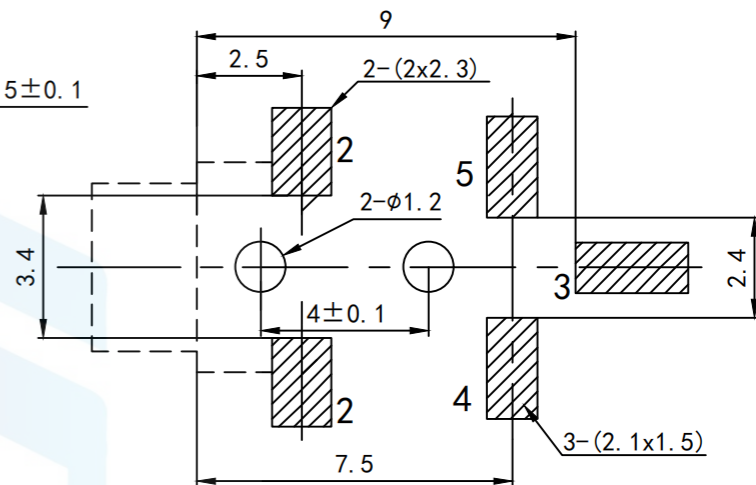
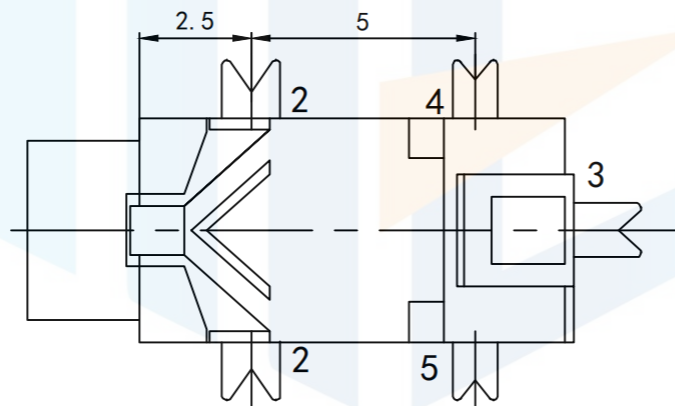
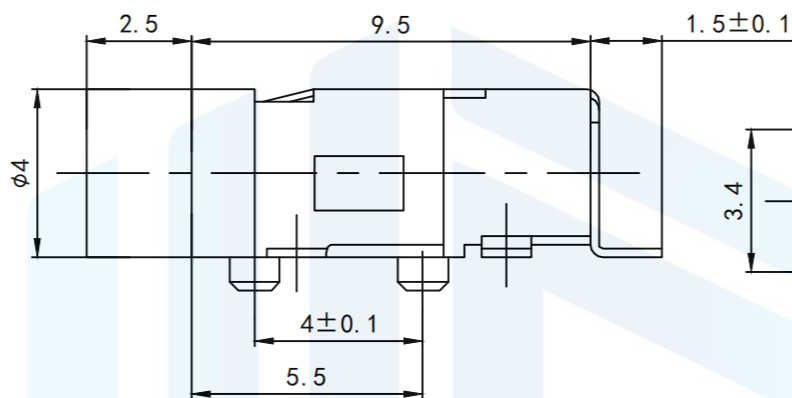
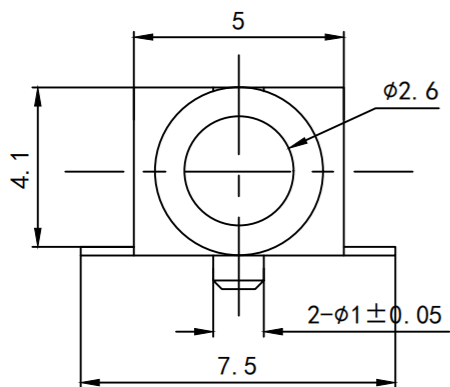


RoHS2.0
Compliant

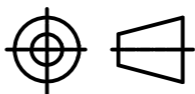


Main Technical
Performance Rated electrical load DC 30V 10.5A
contact resistance $\leq 0.03 \Omega$
Insulation resistance $\geq 100M \Omega$
pressure AC500V (50Hz)/min
insertion and withdrawal force 3-20N
Operating temperature range $-30-70^{\circ}C$
Service life 5000 times

TOLERANCE

X. XXX	± 0.05
X. XX	± 0.15
X. X	± 0.20
X.	± 0.30
ANGLE	$\pm 5.0^{\circ}$

PROTECTON



东莞市恒祺电子科技有限公司
Dongguan Hengqi Electronic Technology Co., Ltd

<https://www.hq-dz.com>

phone: 15812872448

TITLE:

耳机插座

PART NO: PJ-209

DRAWING NO: 12*5*4

DRAWN:

DATE:

18-10-08

UNIT:
mm

CHECKED:

DATE:

18-10-08

SCALE:
FULL

APPROVED:

DATE:

18-10-08

SIZE:
A4