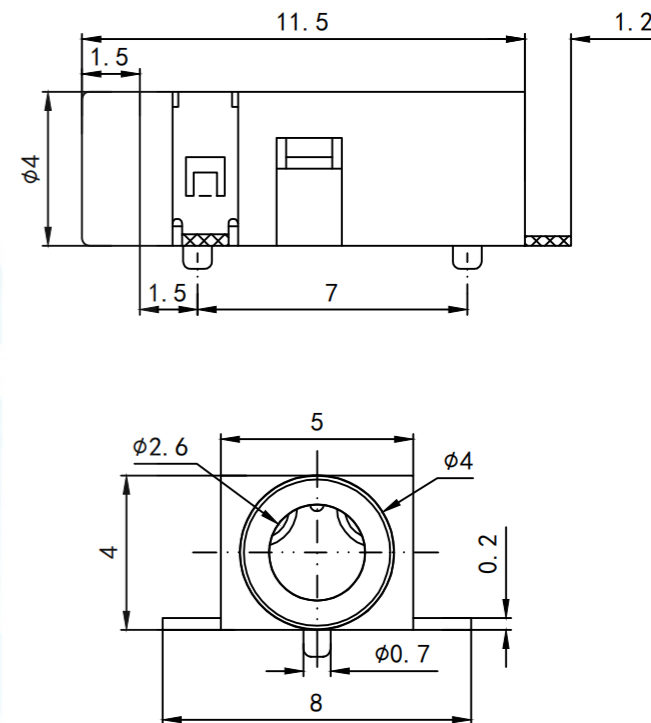
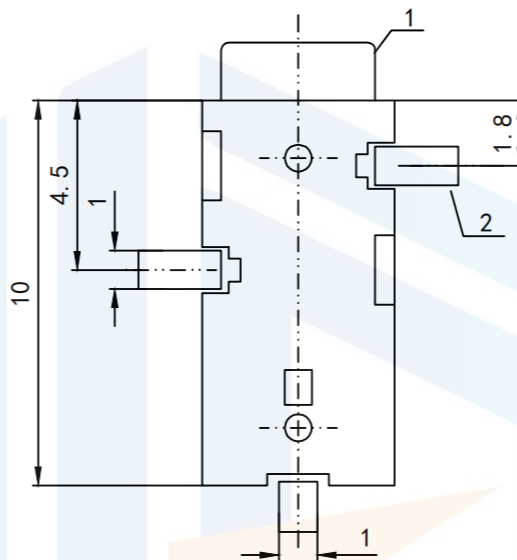
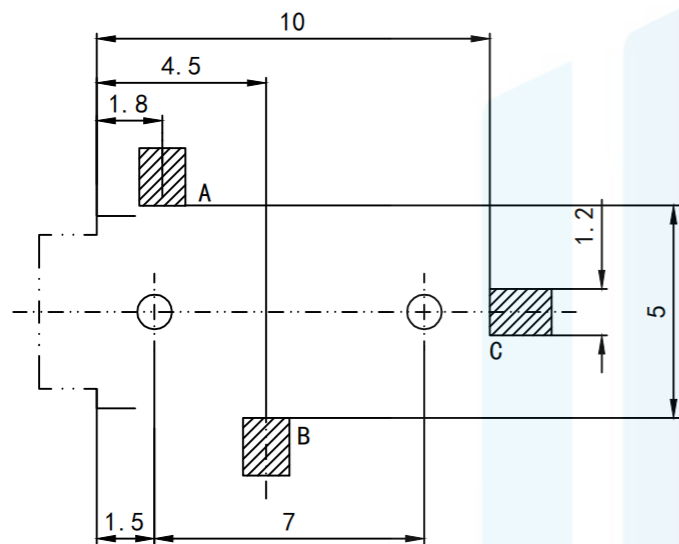


RoHS2.0
Compliant



Model No	HJ-208
Schematic	

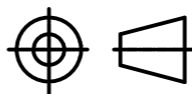
PECIFICATION

1. Rating DC 30V 0.5A
2. Contact resistance $<0.03\Omega$
3. Insulation resistance 100M Ω (DC250V)
4. Withstand voltage 500VAC
5. Insertion and extraction force 3-20N;
- 6 life test 5,000 cycles

TOLERANCE

X. XXX	± 0.05
X. XX	± 0.15
X. X	± 0.20
X.	± 0.30
ANGLE	$\pm 5.0^\circ$

PROTECTON



东莞市恒祺电子科技有限公司

Dongguan Hengqi Electronic Technology Co., Ltd

<https://www.hq-dz.com>

phone: 15812872448

TITLE:

耳机插座

PART NO: PJ-208

DRAWING NO: 11.5*5*4

DRAWN:

DATE:

18-10-08

UNIT:
mm

CHECKED:

DATE:

18-10-08

SCALE:
FULL

APPROVED:

DATE:

18-10-08

SIZE:
A4