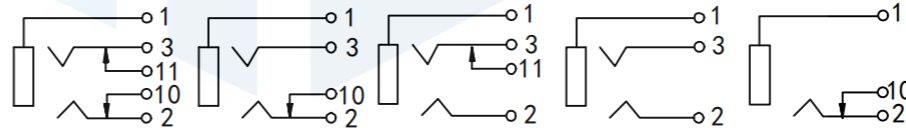
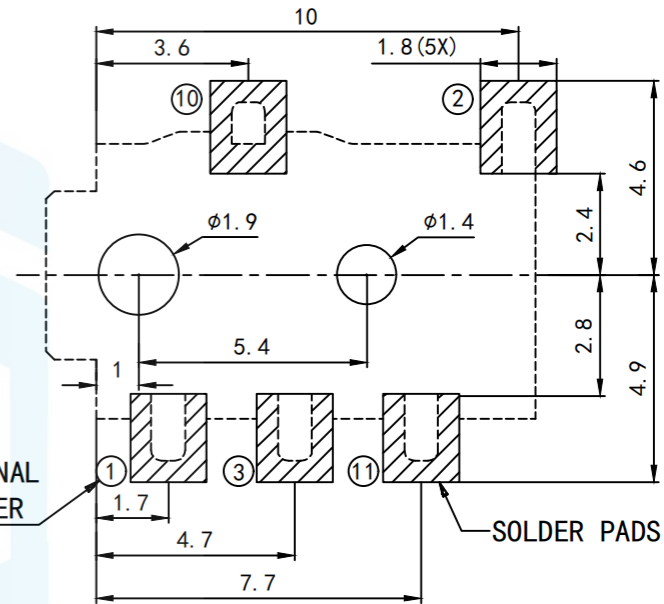
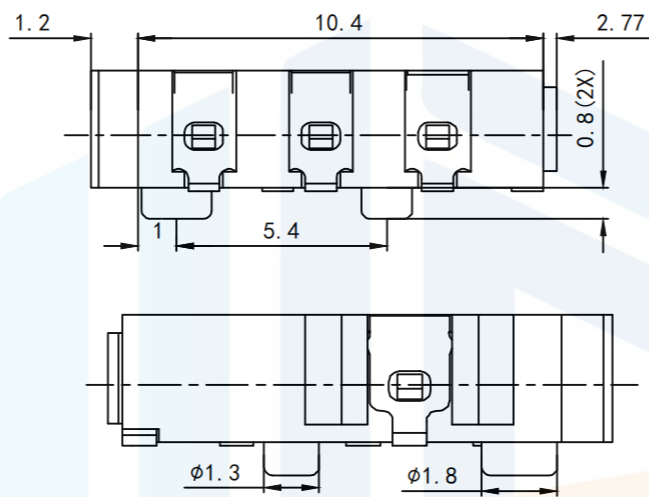
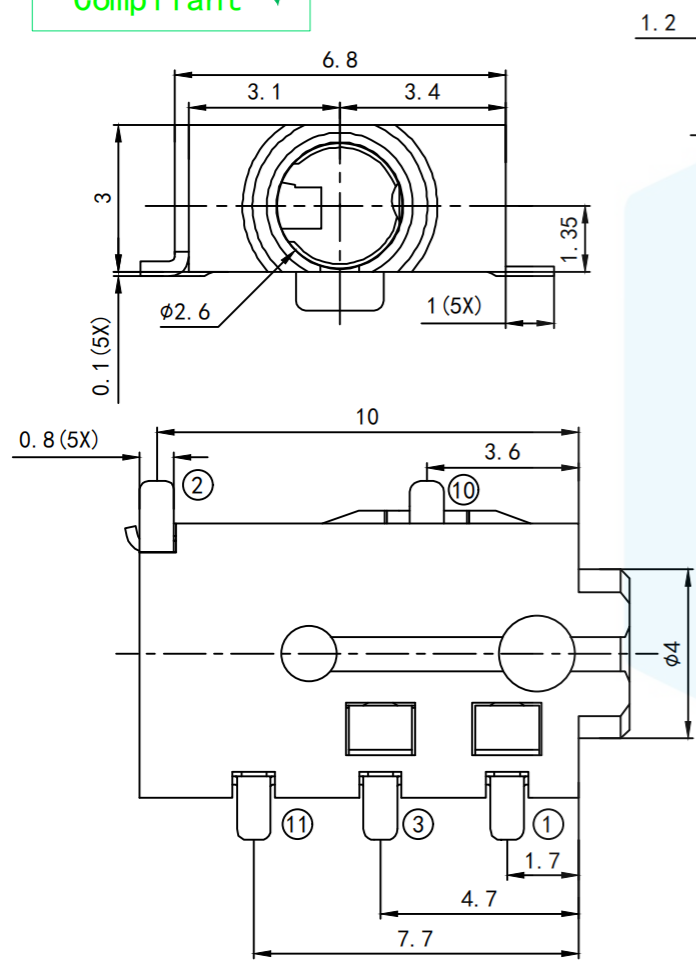


RoHS2.0
Compliant



Main technical performance
 Rated electric load DC 30V \ 0.5A
 Contact resistance $\leq 0.03 \Omega$
 Insulation resistance 2100M Ω
 Withstand voltage AC500V(50Hz)/min
 Insertion and withdrawal force 3-20N
 Operating temperature range -30-70 $^{\circ}\text{C}$
 Service life 5000 times

TOLERANCE X. XXX ± 0.05 X. XX ± 0.15 X. X ± 0.20 X. ± 0.30 ANGLE $\pm 5.0^{\circ}$		东莞市恒祺电子科技有限公司 Dongguan Hengqi Electronic Technology Co., Ltd		
		https://www.hq-dz.com phone:15812872448		
PROTECTON 	DRAWN: CHECKED: APPROVED:	TITLE: 耳机插座		
		PART NO: PJ-221		
		DRAWING NO: 10.4*6.8*3		
		DATE:	18-10-08	UNIT: mm
		DATE:	18-10-08	SCALE: FULL
		DATE:	18-10-08	SIZE: A4