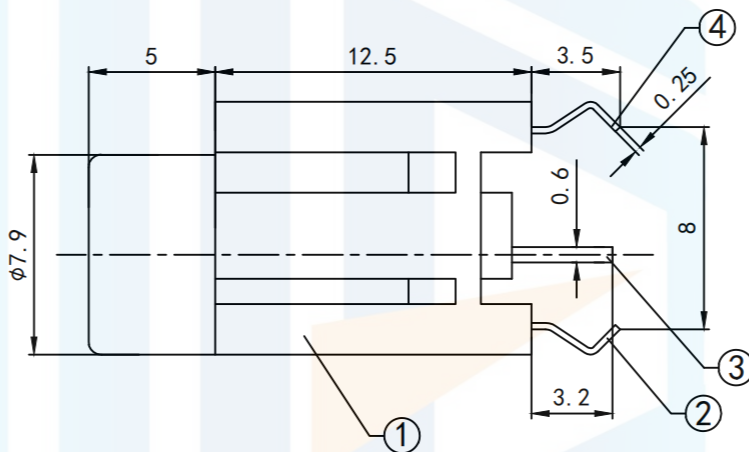
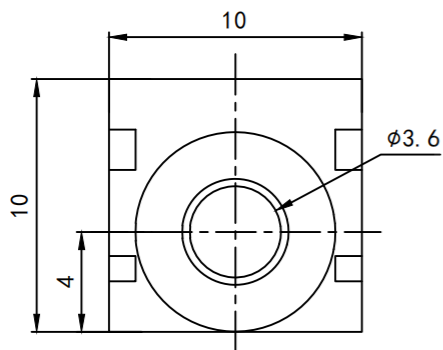
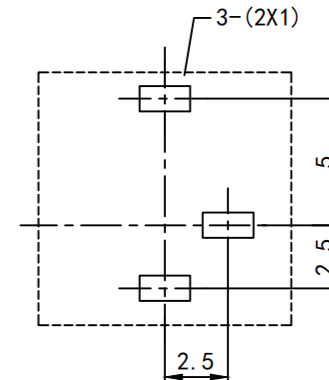


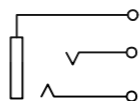
RoHS2.0
Compliant



印制板开孔尺寸
P.C.B LAYOUT



按点示意图
SCHEMATIC



Technical requirements:

1. Rated electrical load: DC 30V 0.5A;
2. Contact resistance: <math>< 0.03 \Omega</math>;
- 3, insulation resistance: >math>100M \Omega</math> (DC250V);
4. Pressure: 500VAC5. Insertion and withdrawal force: 3-20N;
6. Life: 5,000 times.

TOLERANCE X. XXX ± 0.05 X. XX ± 0.15 X. X ± 0.20 X. ± 0.30 ANGLE $\pm 5.0^\circ$		东莞市恒祺电子科技有限公司 Dongguan Hengqi Electronic Technology Co., Ltd	
		https://www.hq-dz.com phone:15812872448	
PROTECTON 	TITLE: 耳机插座		PART NO: PJ-342-3P
	DRAWN:		DRAWING NO: 17.5*10*10
	CHECKED:	DATE: 18-10-08	UNIT: mm
APPROVED:	DATE: 18-10-08	SCALE: FULL	
	DATE: 18-10-08	SIZE: A4	