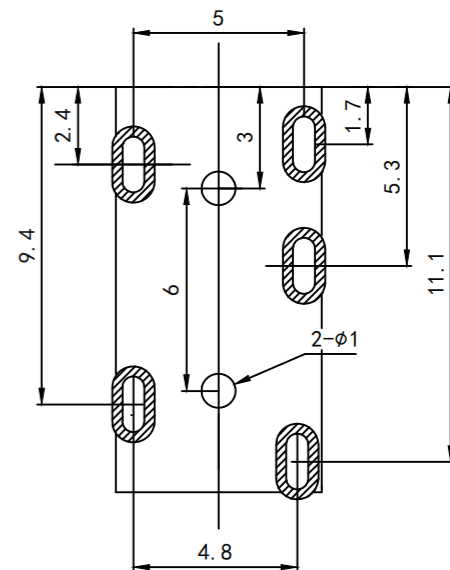
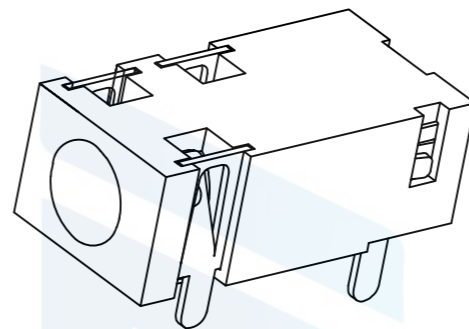
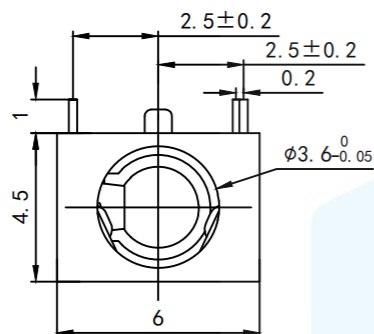
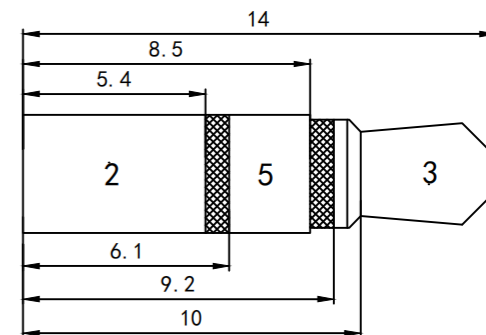
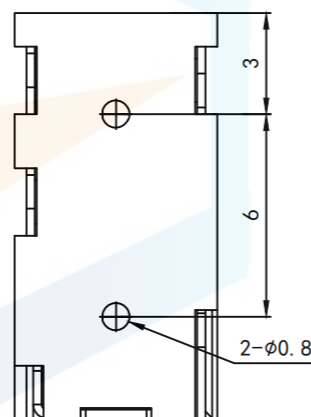
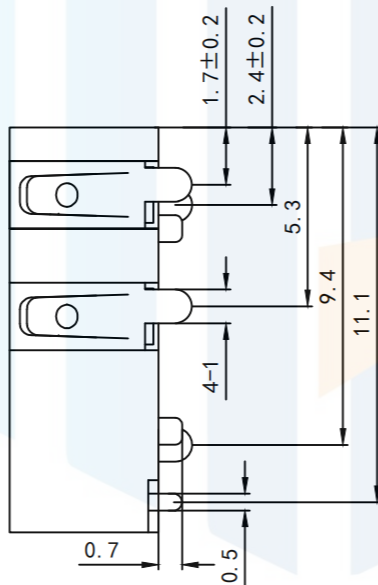
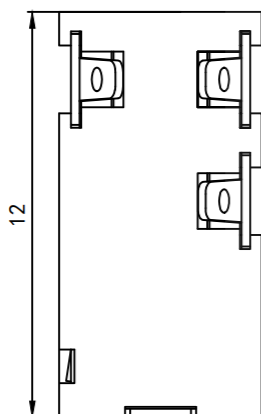
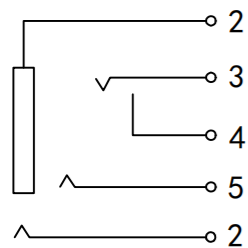


RoHS2.0  
Compliant



P. C. B LAYOUT TOP VIEW

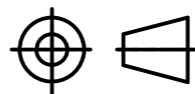


Main technical performance  
 Rated electric load DC 30V \0.5A  
 Contact resistance S0.03Ω  
 Insulation resistance 2100MΩ  
 Withstand voltage AC500V(50Hz)/min  
 Insertion and withdrawal force 3-20N  
 Operating temperature range -30-70°C  
 Service life 5000 times

TOLERANCE

X. XXX	±0.05
X. XX	±0.15
X. X	±0.20
X.	±0.30
ANGLE	±5.0°

PROTECTON



东莞市恒祺电子科技有限公司  
 Dongguan Hengqi Electronic Technology Co., Ltd

<https://www.hq-dz.com> phone:15812872448

TITLE:  
耳机插座

PART NO: PJ-327DA

DRAWING NO: 12\*6\*4.4

DRAWN:  
CHECKED:  
APPROVED:

DATE: 18-10-08  
DATE: 18-10-08  
DATE: 18-10-08

UNIT: mm  
SCALE: FULL  
SIZE: A4