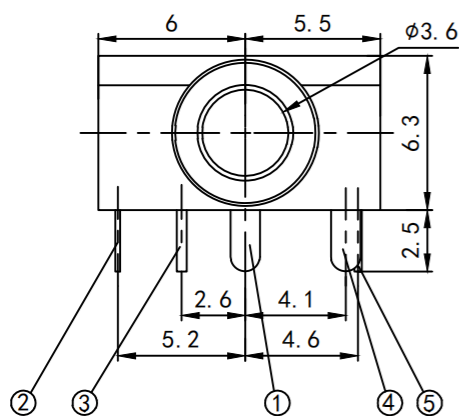
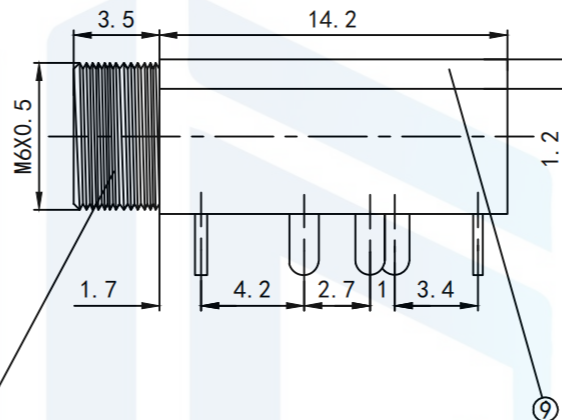
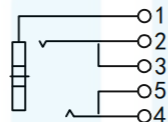


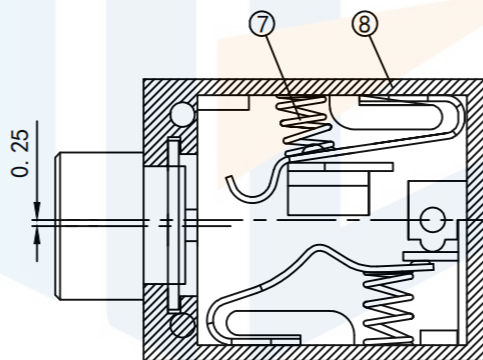
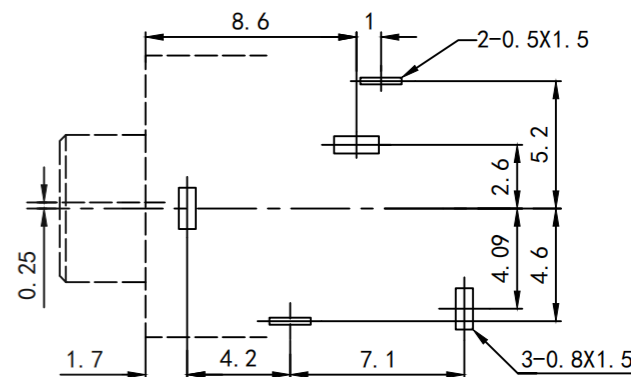
RoHS2.0
Compliant



按点示意图



印制线路板开孔尺寸



Main technical requirements

1. No linear tolerance:

- 0.0-10.0mm ±0.10mm
- 10.0-20.0mm ±0.15mm
- 20.0-50.0mm + / - 0.20mm

2, the appearance should be good, no corrosion, cracks, poor plating and other phenomena.

Main technical performance

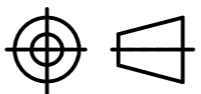
- Rated electrical load: 30V.0.2A;
- Contact resistance: ≤0.03Ω;
- Insulation resistance: ≥100mΩ
- Withstand voltage: AC250V(50Hz)min
- Insertion and withdrawal force: 3-15N;
- Life: 5,000 times.

9	盖子	1	聚碳	(透明)
8	基座	1	PBT	(黑)
7	弹簧	2	碳素弹簧钢D=0.3	镍
6	轴套	1	H59黄铜棒	镍
5	5#接触脚	1	锡青铜带T=0.25	锡铈
4	4#接触脚	1	H62黄铜带T=0.35	锡铈
3	3#接触脚	1	H62黄铜带T=0.35	锡铈
2	2#接触脚	1	锡青铜带T=0.25	锡铈
1	1#接触脚	1	H62黄铜带T=0.4	铜锡
序号	名称	数量	材料	镀涂

TOLERANCE

X. XXX	±0.05
X. XX	±0.15
X. X	±0.20
X.	±0.30
ANGLE	±5.0°

PROTECTON



东莞市恒祺电子科技有限公司

Dongguan Hengqi Electronic Technology Co., Ltd

<https://www.hq-dz.com>

phone:15812872448

TITLE:

耳机插座

PART NO:PJ-324M

DRAWING NO:17.7*11.5*6.3

DRAWN:

CHECKED:

APPROVED:

DATE:

DATE:

DATE:

18-10-08

18-10-08

18-10-08

UNIT:
mm

SCALE:
FULL

SIZE:
A4