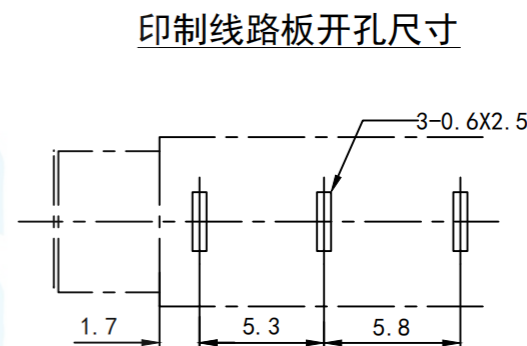
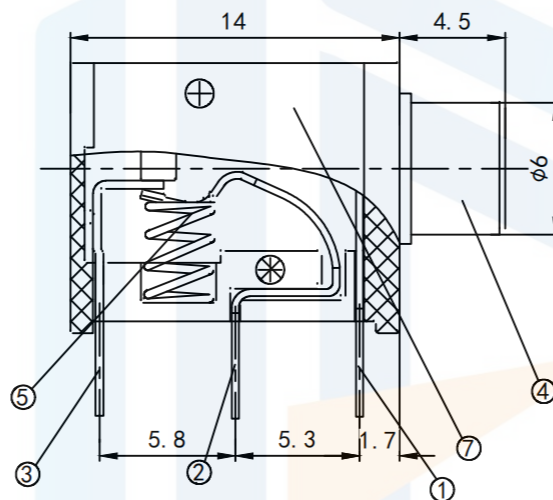
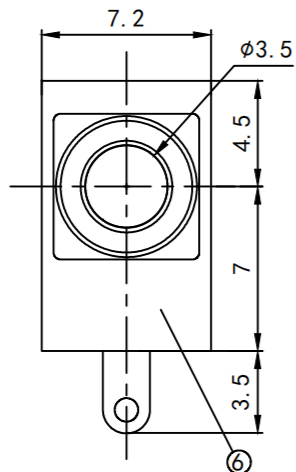
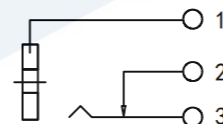


RoHS2.0  
Compliant



印制线路板开孔尺寸

按点示意图



Main technical requirements

1. No linear tolerance:

- 0.0-10.0mm  $\pm 0.10$ mm
- 10.0-20.0mm  $\pm 0.15$ mm
- 20.0-50.0mm  $\pm 0.20$ mm

2. Appearance should be good, no corrosion, cracks, poor plating and other phenomena.

Main technical performance

1. Rated electrical load: 30V 0.2A;
2. Contact resistance:  $\leq 0.03 \Omega$ ;
3. Insulation resistance:  $2100 m\Omega$ ;
4. Withstand voltage: AC250V (50Hz)min;
5. Insertion and withdrawal force: 3-15N;
6. Life: 5,000 times.

7	盖板	1	聚碳	(透明)
6	底座	1	聚碳	(黑)
5	弹簧	1	碳素弹簧铜丝 (11级)	
4	轴套	1	H59黄铜棒	镍
3	弯片	1	H62黄铜带T=0.35	锡铈
2	簧片	1	锡青铜带T=0.3	锡铈
1	平片	1	H62黄铜带T=0.35	锡铈
序号	名称	数量	材料	镀涂

<b>TOLERANCE</b> X. XXX $\pm 0.05$ X. XX $\pm 0.15$ X. X $\pm 0.20$ X. $\pm 0.30$ ANGLE $\pm 5.0^\circ$		<b>东莞市恒祺电子科技有限公司</b> Dongguan Hengqi Electronic Technology Co., Ltd			
		<a href="https://www.hq-dz.com">https://www.hq-dz.com</a>		phone: 15812872448	
<b>PROTECTON</b> 	<b>DRAWN:</b>  <b>CHECKED:</b>  <b>APPROVED:</b>	<b>TITLE:</b> 耳机插座		<b>PART NO:</b> PJ-323	
		<b>DRAWING NO:</b> 18.5*7.2*11.5			
		<b>DATE:</b> 18-10-08	<b>UNIT:</b> mm	<b>DATE:</b> 18-10-08	<b>SCALE:</b> FULL
		<b>DATE:</b> 18-10-08	<b>SIZE:</b> A4		