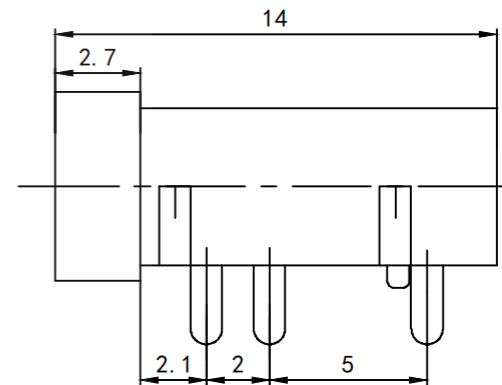
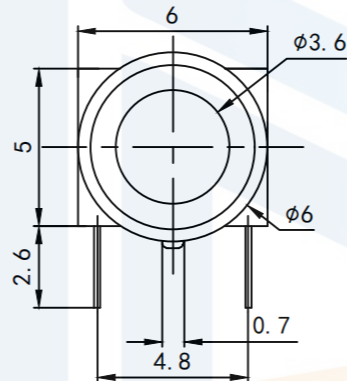
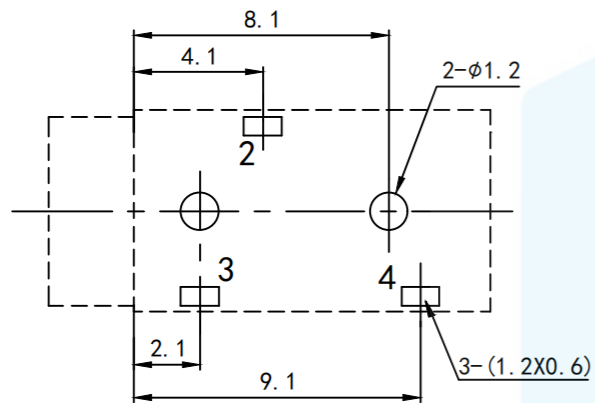
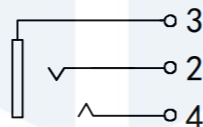


RoHS2.0
Compliant ✓



尺寸公差按IT12级 (GB1804-1998)



基座	PA66/20%	1	
内铜套	磷铜	1	镀银
插脚	磷铜	3	镀银
零件名称	材料	数量	备注

SPECIFICATION

1. Rating : DC 30V 0.5A
2. Contact resistance : <30mΩ
3. Insulation resistance : >100MΩ
4. Withstand voltage : 500VAC
5. Insertion and extraction force: 3-30N
6. life test : 5,000 cycles

TOLERANCE X. XXX ±0.05 X. XX ±0.15 X. X ±0.20 X. ±0.30 ANGLE ±5.0°		东莞市恒祺电子科技有限公司 Dongguan Hengqi Electronic Technology Co., Ltd		
		https://www.hq-dz.com		phone:15812872448
PROTECTON 	TITLE: 耳机插座		PART NO: PJ-320F	
			DRAWING NO: 14*6*5	
	DRAWN:		DATE:	18-10-08
CHECKED:		DATE:	18-10-08	SCALE: FULL
APPROVED:		DATE:	18-10-08	SIZE: A4