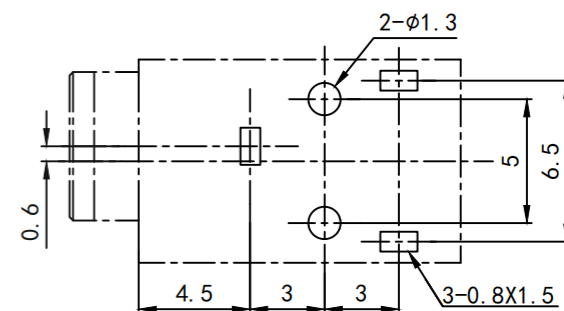
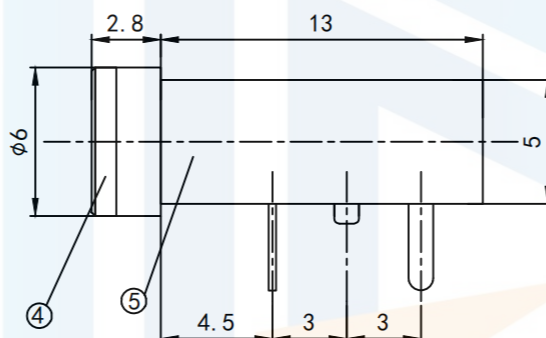
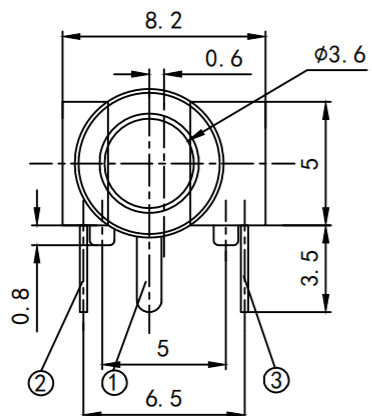


RoHS2.0
Compliant



Main technical requirements

1. No linear tolerance:

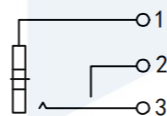
0.0-10.0mm ± 0.10 mm

10.0-20.0mm ± 0.15 mm

20.0-50.0mm soil 0.20 mm

2, the appearance should be good, no corrosion, cracks, poor plating and other phenomena.

接点示意图



Main technical requirements

1. Rated electrical load: DC30V, 0.2A;

2. Contact resistance: $< 0.03 \Omega$;

3. Insulation resistance: $> 100 M \Omega$;

4. Withstand voltage : AC250V (50Hz) min;

5. Insert and dial force: 3-15N

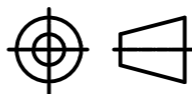
6. Life: 5,000 times.

1	基座	1	尼龙	(黑)
1	轴套	1	H59黄铜棒	镍
1	簧片	1	锡青铜带T=0.3	锡铈
1	弯片	1	H62黄铜带T=0.3	锡铈
1	平片	1	锡青铜带T=0.2	铜铈
序号	名称	数量	材料	序号

TOLERANCE

X. XXX	± 0.05
X. XX	± 0.15
X. X	± 0.20
X.	± 0.30
ANGLE	$\pm 5.0^\circ$

PROTECTON



东莞市恒祺电子科技有限公司

Dongguan Hengqi Electronic Technology Co., Ltd

<https://www.hq-dz.com>

phone: 15812872448

TITLE:

耳机插座

PART NO: PJ-318-3P

DRAWING NO: 15.8*8.2*5

DRAWN:

DATE:

18-10-08

UNIT:
mm

CHECKED:

DATE:

18-10-08

SCALE:
FULL

APPROVED:

DATE:

18-10-08

SIZE:
A4