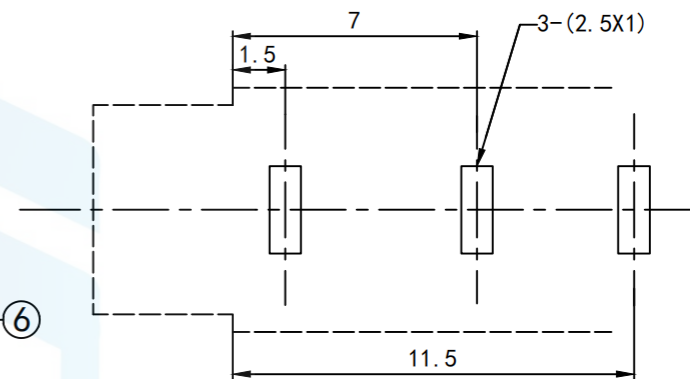
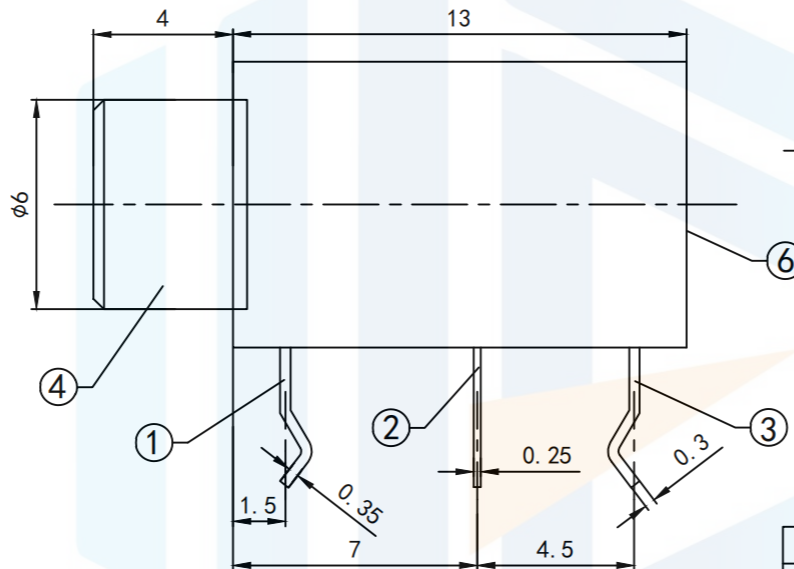
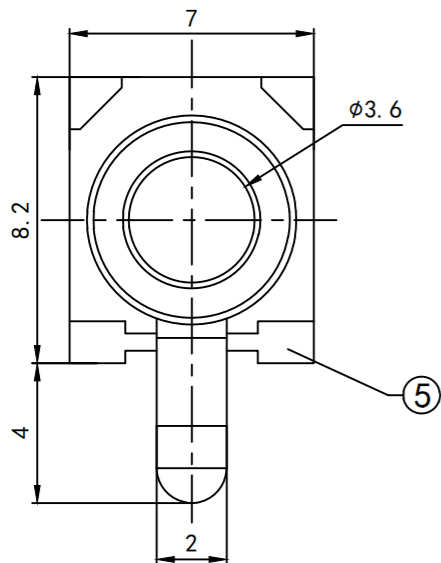
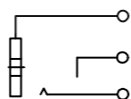


RoHS2.0  
Compliant



按点示意图  
SCHEMATIC



6	名称	1	ABS	
5	后盖	1	H59黄铜	
4	轴套	1	H62黄铜	镀镍
3	弯片	1	H59黄铜	镀铜锡
2	弹片	1	65锰钢	镀锡铈
1	平片	1	H62黄铜	镀铜锡
序号	名称	数量	材料	电镀

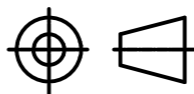
Main technical performance

1. Rated electrical load: 30V 0.5A;
2. Contact resistance: 0.03Ω;
3. Absolute edge resistance: >100 MΩ;
4. Withstand voltage: AC 250V (50Hz) min
5. Insertion and withdrawal force: 3-15N
6. Life: 5,000 times.

TOLERANCE

X. XXX	±0.05
X. XX	±0.15
X. X	±0.20
X.	±0.30
ANGLE	±5.0°

PROTECTON



东莞市恒祺电子科技有限公司

Dongguan Hengqi Electronic Technology Co., Ltd

<https://www.hq-dz.com>

phone:15812872448

TITLE:

耳机插座

PART NO: PJ-316

DRAWING NO: 17\*7\*8.2

DRAWN:

DATE:

18-10-08

UNIT:  
mm

CHECKED:

DATE:

18-10-08

SCALE:  
FULL

APPROVED:

DATE:

18-10-08

SIZE:  
A4