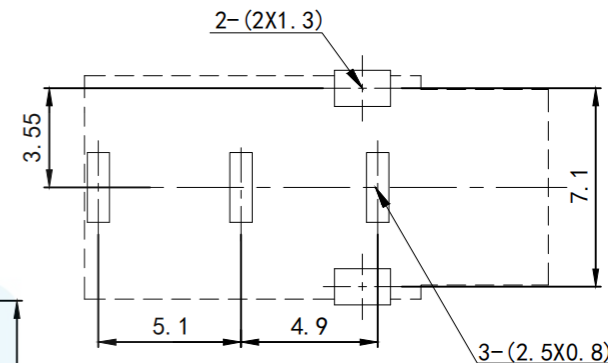
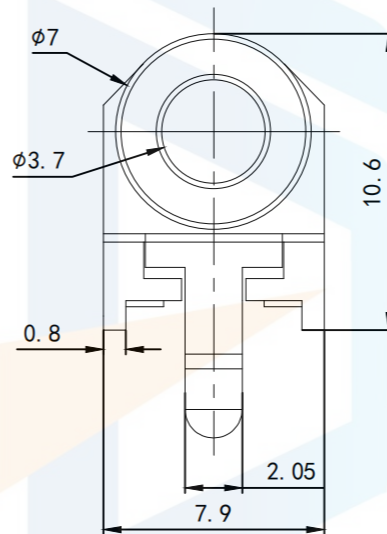
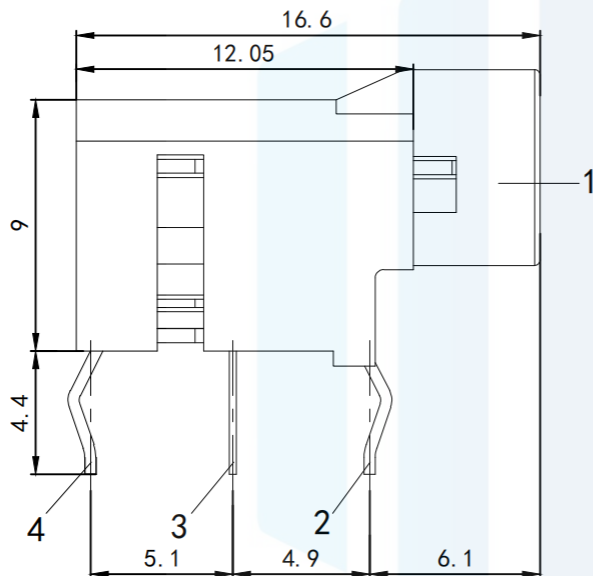
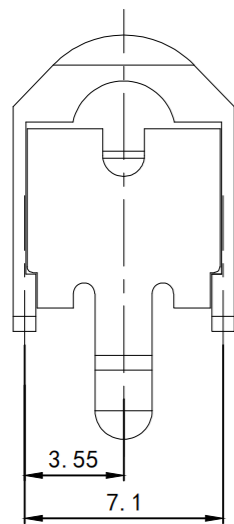
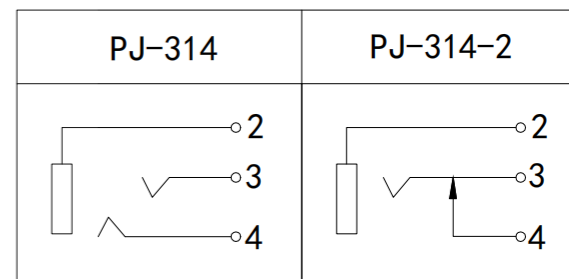


RoHS2.0  
Compliant



P. C. B LAYOUT  
TOP VIEW



SCHEMATIC

4	PJ-314-4	盖脚	1	黄铜	T=0.4	镍锡
3	PJ-314-3	弹片	1	磷铜	T=0.35	镍锡
2	PJ-314-2	插片	1	黄铜	T=0.4	镍锡
1	PJ-314-1	底座	1	PBT	黑色	
序号	产品编号	产品名称	数量	材料	材料	材料

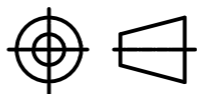
Main technical performance

1. Rated electrical load: 30V 0.5A;
2. Contact resistance: 0.03Ω;
3. Absolute edge resistance: >100 MΩ;
4. Withstand voltage: AC 250V (50Hz) min
5. Insertion and withdrawal force: 3-15N
6. Life: 5,000 times.

TOLERANCE

X. XXX	±0.05
X. XX	±0.15
X. X	±0.20
X.	±0.30
ANGLE	±5.0°

PROTECTON



东莞市恒祺电子科技有限公司

Dongguan Hengqi Electronic Technology Co., Ltd

<https://www.hq-dz.com>

phone:15812872448

TITLE:

耳机插座

PART NO: PJ-314

DRAWING NO: 16.6\*10.6\*7.9

DRAWN:

DATE:

18-10-08

UNIT:  
mm

CHECKED:

DATE:

18-10-08

SCALE:  
FULL

APPROVED:

DATE:

18-10-08

SIZE:  
A4