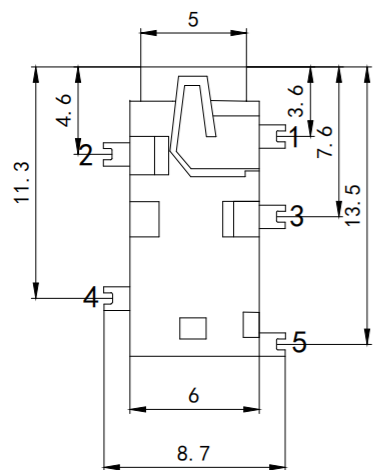
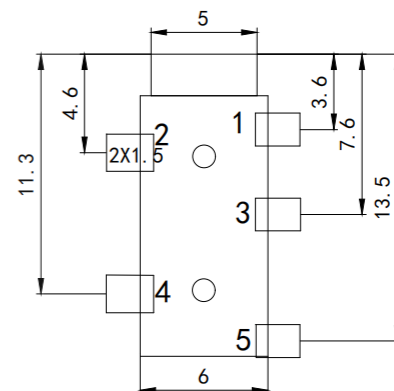
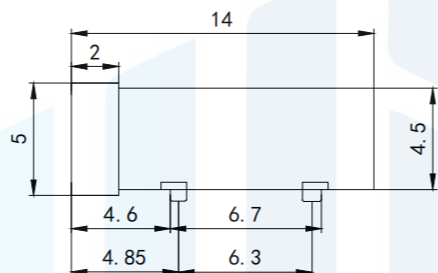
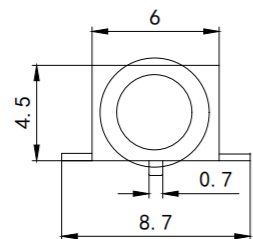
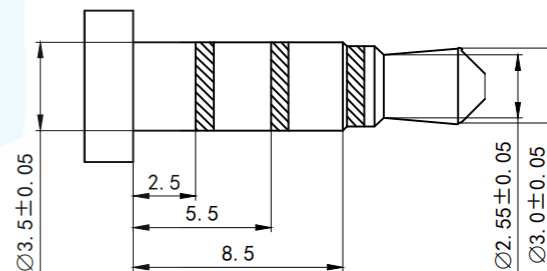
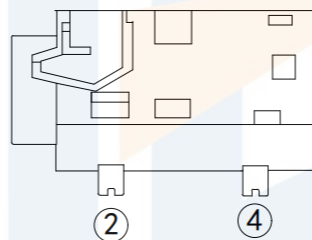
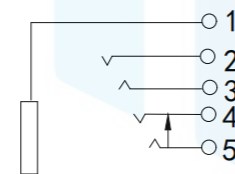


RoHS2.0
Compliant



电路原理图



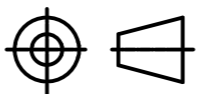
Main technical performance

1. Rated electrical load: DC 30V 0.5;
2. Contact resistance: $\leq 0.03\Omega$;
3. Insulation resistance: $\geq 100M\Omega$;
4. Withstand voltage: AC500V(50Hz) /min;
5. Insertion and withdrawal force: 5~25N;
6. Life: 5,000 times
7. High temperature resistance: 260 degrees

TOLERANCE

X. XXX	±0.05
X. XX	±0.15
X. X	±0.20
X.	±0.30
ANGLE	±5.0°

PROTECTON



东莞市恒祺电子科技有限公司
Dongguan Hengqi Electronic Technology Co., Ltd

<https://www.hq-dz.com>

phone:15812872448

TITLE:

耳机插座

PART NO: PJ-308D

DRAWING NO: 14*6*4.5

DRAWN:

DATE:

18-10-08

UNIT:
mm

CHECKED:

DATE:

18-10-08

SCALE:
FULL

APPROVED:

DATE:

18-10-08

SIZE:
A4