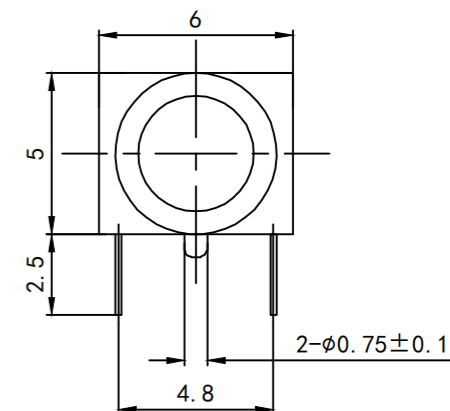
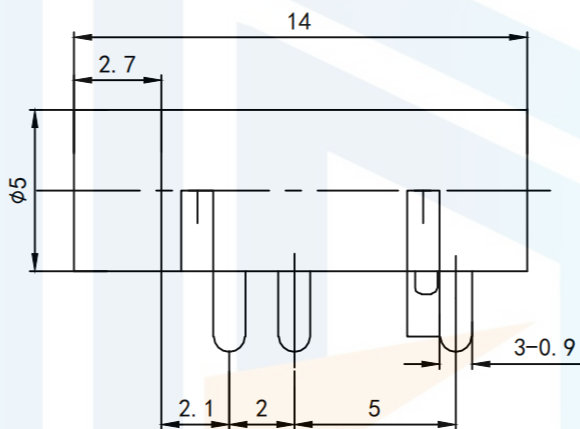
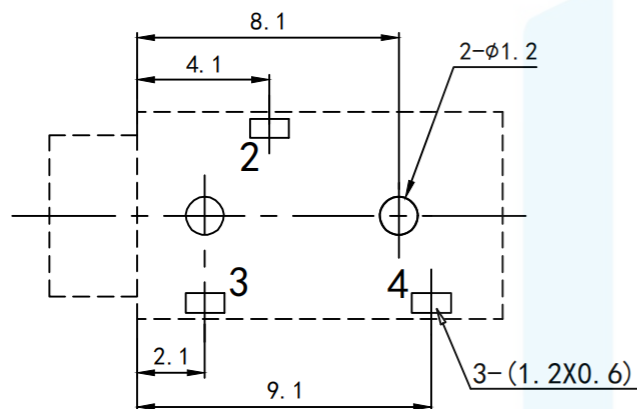


RoHS2.0  
Compliant

P. C. B LAYOUT TOP VIEW



尺寸公差按IT12级 (GB1804-1998)

SPECIFICATION

1. Rating : DC 30V 0.5A
2. Contact resistance : <30mΩ
3. Insulation resistance : >100MΩ
4. Withstand voltage : 500VAC
5. Insertion and extraction force: 3-30N
6. life test : 5,000 cycles



零件名称	材料	数量	备注
基座	PA66/20%	1	
插脚	磷铜	3	镀银

<b>TOLERANCE</b> X. XXX ±0.05 X. XX ±0.15 X. X ±0.20 X. ±0.30 ANGLE ±5.0°		<b>东莞市恒祺电子科技有限公司</b> Dongguan Hengqi Electronic Technology Co., Ltd		
		<a href="https://www.hq-dz.com">https://www.hq-dz.com</a>		phone:15812872448
<b>PROTECTON</b> 	<b>TITLE:</b> 耳机插座		<b>PART NO:</b> PJ-320	
			<b>DRAWING NO:</b> 14*6*5	
	<b>DRAWN:</b>		<b>DATE:</b> 18-10-08	<b>UNIT:</b> mm
<b>CHECKED:</b>		<b>DATE:</b> 18-10-08	<b>SCALE:</b> FULL	
<b>APPROVED:</b>		<b>DATE:</b> 18-10-08	<b>SIZE:</b> A4	