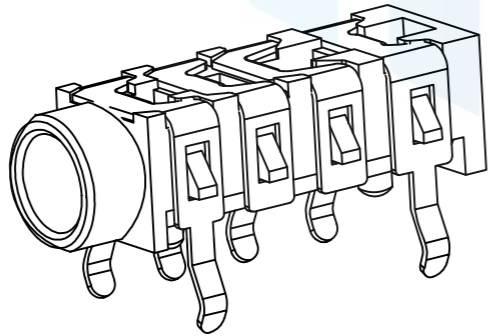
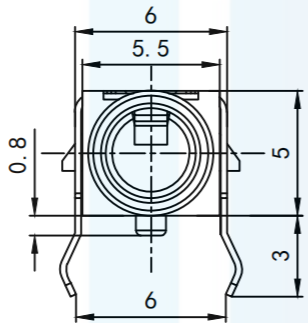
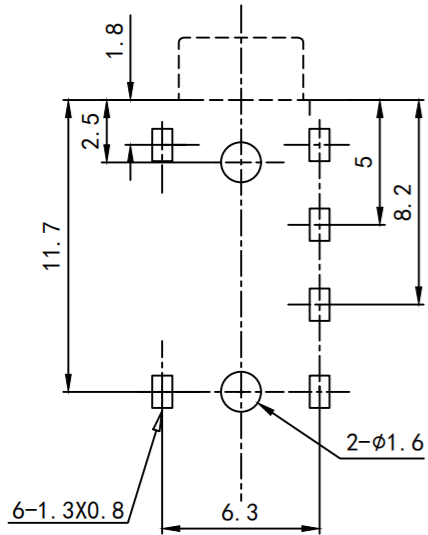
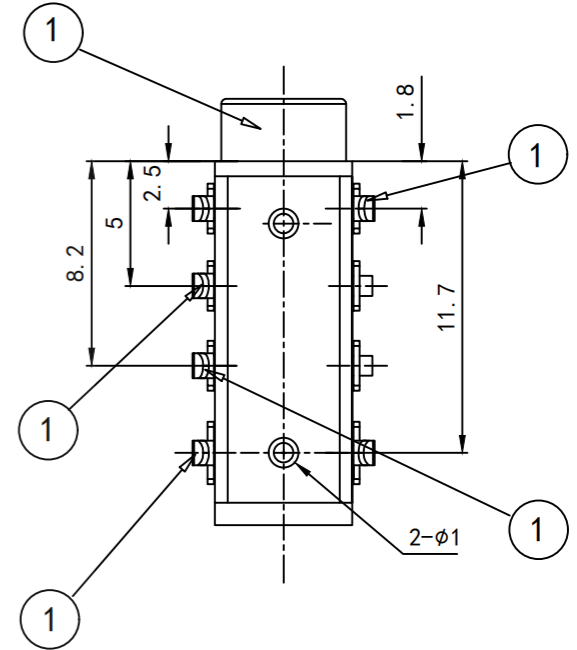
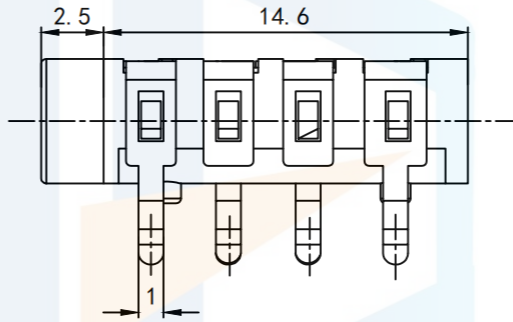
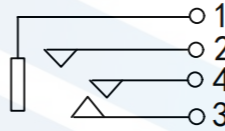


RoHS2.0
Compliant ✓

线路板开孔尺寸



电路原理图



5	ZY7.810.313-4	4#簧片	1		D.L1Ag
4	ZY7.810.313-3	3#簧片	1		D.L1Ag
3	ZY7.810.313-2	2#簧片	1		D.L1Ag
2	ZY7.810.313-1	1#簧片	1		D.L1Ag
1	ZY7.810.313	基座	1	PBT工程塑料	配色
序号	图号或代号	名称	数量	材料	备注

Main technical performance

1. Rated load: DC30V 0.5A
2. Contact resistance: $<0.03\Omega$
3. Insulation resistance: $>100M\Omega$;
4. Withstand voltage: AC500V (50Hz)/min;
5. Insertion and withdrawal force: 3~20N;
6. Life: 5,000 times.

TOLERANCE

X. XXX	±0.05
X. XX	±0.15
X. X	±0.20
X.	±0.30
ANGLE	±5.0°



东莞市恒祺电子科技有限公司
Dongguan Hengqi Electronic Technology Co., Ltd

<https://www.hq-dz.com> phone:15812872448

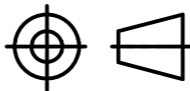
TITLE:

耳机插座

PART NO: PJ-313B

DRAWING NO: 17*6*5

PROTECTON



DRAWN:

DATE: 18-10-08

UNIT: mm

CHECKED:

DATE: 18-10-08

SCALE: FULL

APPROVED:

DATE: 18-10-08

SIZE: A4