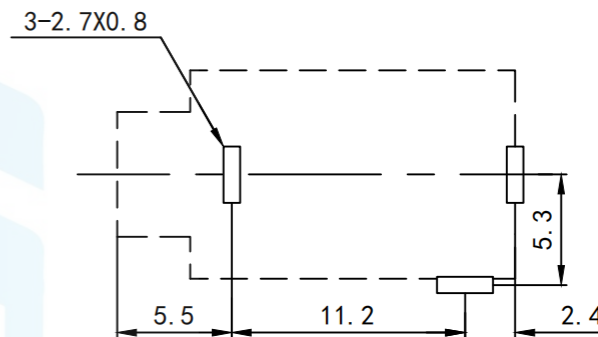
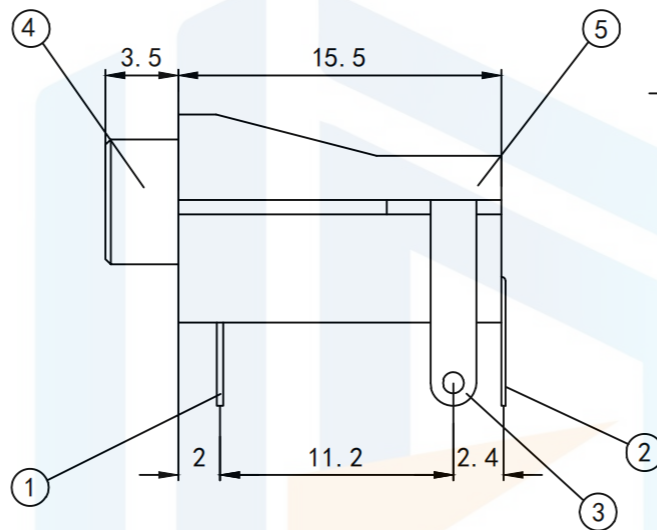
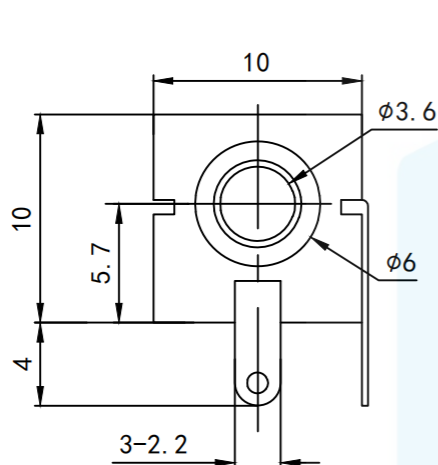
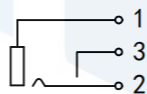


RoHS2.0
Compliant



电路结构示意图



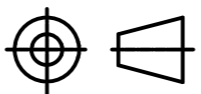
1		基座	1PCS	ABS(黑色)	
1		轴套	1PCS	H59-1黄铜	电镀: 锡
1		开关固定脚	1PCS	H62 黄铜 t=0.3	电镀: 锡
1		声道接触脚	1PCS	65Mn钢 t=0.2	电镀: 锡
1		接地焊脚	1PCS	H62 黄铜 t=0.3	电镀: 锡
序号	零件图号或代号	名称	数量	材料	备注

Technical requirement
 Use condition: $-40 \sim 55^{\circ}\text{C}$
 Rated load: DC 30V 0.5V
 Insulation resistance: $< 0.03\Omega$
 Insulation resistance: $> 100\text{M}\Omega$ DC250V
 Voltage: AC 55V(50HZ) /min
 Insertion and removal force : $3 \sim 20\text{N}$
 Mechanical life: 5000 times

TOLERANCE

X. XXX	± 0.05
X. XX	± 0.15
X. X	± 0.20
X.	± 0.30
ANGLE	$\pm 5.0^{\circ}$

PROTECTON



东莞市恒祺电子科技有限公司

Dongguan Hengqi Electronic Technology Co., Ltd

<https://www.hq-dz.com>

phone: 15812872448

TITLE:

耳机插座

PART NO: PJ-302B

DRAWING NO: 19*10*10

DRAWN:

DATE:

18-10-08

UNIT:
mm

CHECKED:

DATE:

18-10-08

SCALE:
FULL

APPROVED:

DATE:

18-10-08

SIZE:
A4